

| | | | | | |
|------|------|-------|-----------------------|--------------|---------|
| 15.3 | 13.6 | 16.05 | 501594-7011 | 501594-7010 | 70 |
| 12.1 | 10.4 | 12.85 | 501594-5411 | 501594-5410 | 54 |
| 11.3 | 9.6 | 12.05 | 501594-5011 | 501594-5010 | 50 |
| 10.1 | 8.4 | 10.85 | 501594-4411 | 501594-4410 | 44 |
| 9.3 | 7.6 | 10.05 | 501594-4011 | 501594-4010 | 40 |
| 8.1 | 6.4 | 8.85 | 501594-3411 | 501594-3410 | 34 |
| 7.3 | 5.6 | 8.05 | 501594-3011 | 501594-3010 | 30 |
| 6.5 | 4.8 | 7.25 | 501594-2611 | 501594-2610 | 26 |
| 6.1 | 4.4 | 6.85 | 501594-2411 | 501594-2410 | 24 |
| 5.7 | 4.0 | 6.45 | 501594-2211 | 501594-2210 | 22 |
| 5.3 | 3.6 | 6.05 | 501594-2011 | 501594-2010 | 20 |
| 3.7 | 2.0 | 4.45 | 501594-1211 | 501594-1210 | 12 |
| 3.3 | 1.6 | 4.05 | 501594-1011 | 501594-1010 | 10 |
| C | B | A | EMBOSSED TAPE PACKAGE | MATERIAL NO. | CIRCUIT |
| | | | ORDER No. | | |

| | | | | | | | |
|---|---------------------------------------|--|-----------------------------------|---|---|--------------------------------------|----------------------------|
| REVISED EC NO: J2008-3370 DRW:KSEI 2008/06/17 CHK:D:MSASAO 2008/06/17 APPR:MSASAO 2008/06/25 | GENERAL TOLERANCES (UNLESS SPECIFIED) | | DIMENSION STYLE MM ONLY | | SCALE --- | DESIGN UNITS METRIC | THIRD ANGLE PROJECTION |
| | 10 UNDER | ± 0.2 | DRAWN BY T. ASAKAWA | DATE 2006/07/10 | TITLE 0.4MM PITCH B/B CONN. H=0.9 W=3.4 PLUG ASSY | | |
| | 10 OVER 30 UNDER | ± 0.25 | CHECKED BY M. SASAO | DATE 2006/07/10 | MOLEX INCORPORATED | | |
| | 30 OVER | ± 0.3 | APPROVED BY M. SASAO | DATE 2006/07/10 | MATERIAL NO. SEE TABLE | DOCUMENT NO. SD-501594-005 | SHEET NO. 1 OF 2 |
| | ANGULAR ± 3 ° | DRAFT WHERE APPLICABLE MUST REMAIN WITHIN DIMENSIONS | | THIS DRAWING CONTAINS INFORMATION THAT IS PROPRIETARY TO MOLEX INCORPORATED AND SHOULD NOT BE USED WITHOUT WRITTEN PERMISSION | | | |

注記 NOTES

1.使用材料
MATERIAL

ハウジング：液晶ポリマー (LCP) ガラス充填 UL-94V-0 (黒)
HOSING : LIQUID CRYSTAL POLYMER (GLASS FILLED) UL94V-0 (COLOR:BLACK)

ターミナル：りん青銅 (t=0.08)
TERMINAL : PHOSHOR BRONZE (t=0.08)

金具：りん青銅 (t=0.1)
FITTING NAIL : PHOSHOR BRONZE (t=0.1)

2.メッキ仕様
PLATING

ターミナル
TERMINAL

金メッキ 0.1マイクロメートル以上 (コンタクト部)
GOLD 0.1 MICROMETER MINIMUM (CONTACT AREA)

金メッキ 0.03マイクロメートル以上 (テール部)
GOLD 0.03 MICROMETER MINIMUM (TAIL AREA)

下地メッキ：ニッケルメッキ 1.0 マイクロメートル以上
UNDER PLATING : NICKEL 1.0 MICROMETER MINIMUM

金具
FITTING NAIL

錫メッキ :1.0マイクロメートル以上
TIN PLATING :1.0 MICROMETER MINIMUM

下地メッキ :ニッケル1.0マイクロメートル以上
UNDER PLATING :NICKEL 1.0 MICROMETER MINIMUM

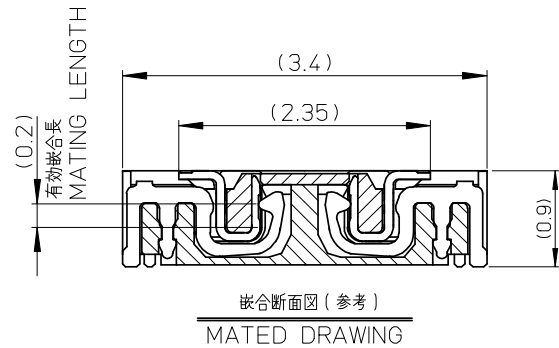
③ (全極数/2)=偶数の場合に適用
APPLY FOR (CIRCUIT/2)=EVEN

4.嵌合相手 : 501591-**10シリーズ
WITH MATE : 501591-**10SERIES

5.テール及び金具の平坦度は、0.1以下
TAIL AND FITTING NAIL COPLANARITY TO BE 0.1 MAXIMUM

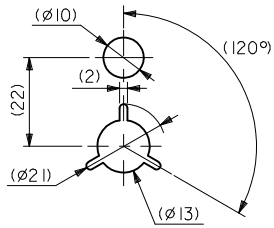
⑥ 斜線部はパターン書き込み禁止範囲と半田禁止範囲を示す。
ただし、斜線部に同一配線を配置する場合はレジストを施し、この部分に半田は無きこと。
NO PATTERN CIRCUIT AND NO SOLDER ALLOWED IN THE SHADED AREA.
HOWEVER, IF NEEDED TO ADD A TRACE OF THE SAME CIRCUIT, PUT THE SOLDER-RESIST,
YET NO SOLDER ALLOWED IN THE AREA.

7.ELV AND RoHS COMPLIANT.

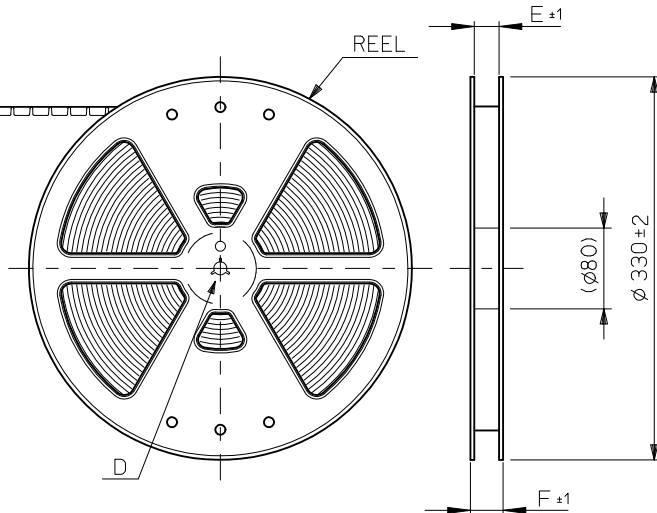


| | | | | | | | | | |
|--|--|-------|-----------------------------|--|---|------------------------|---------------------------|--|-------------------------------|
| REVISED EC NO: J2008-3370 DRW:KSETO 2008/06/17 CHK:MSASAO 2008/06/17 APPR:MSASAO 2008/06/25 REV | GENERAL TOLERANCES (UNLESS SPECIFIED) | | DIMENSION STYLE MM ONLY | | SCALE --- | DESIGN UNITS METRIC | THIRD ANGLE PROJECTION | | |
| | 10 UNDER | ±0.2 | DRAWN BY T. ASAKAWA | DATE 2006/07/10 | TITLE 0.4MM PITCH B/B CONN. H=0.9 W=3.4 PLUG ASSY | | | | |
| | 10 OVER 30 UNDER | ±0.25 | CHECKED BY M. SASAO | DATE 2006/07/10 | | | | | |
| | 30 OVER | ±0.3 | APPROVED BY M. SASAO | DATE 2006/07/10 | MOLEX INCORPORATED | | | | |
| | ANGULAR | ±3 ° | MATERIAL NO. SEE SHEET 1 | | | | | | DOCUMENT NO. SD-501594-005 |
| | DRAFT WHERE APPLICABLE MUST REMAIN WITHIN DIMENSIONS | | SIZE A3 | THIS DRAWING CONTAINS INFORMATION THAT IS PROPRIETARY TO MOLEX INCORPORATED AND SHOULD NOT BE USED WITHOUT WRITTEN PERMISSION | | | | | |

引き出し方向
PULL OUT DIRECTION

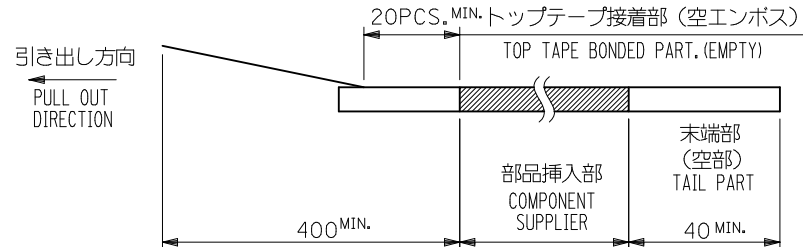


DETAIL D

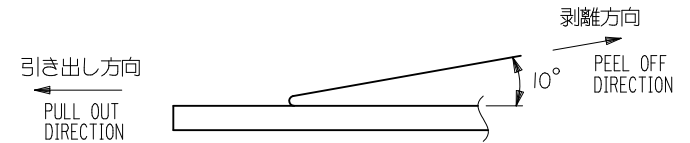


NOTES

- 製品詳細寸法については製品単体図面を参照下さい。
RE DETAILED DIMENSION, SEE PRODUCT DRAWING.
- 梱包数量：3000個/リール
NUMBER OF CONNECTORS：3000PCS/REEL
- リードテープ長さ LEAD TAPE LENGTH



- トップテープの剥離強度：JES-59 参照
剥離方向は下図参照。
PEELING OFF STRENGTH OF TOP TAPE：REFER TO JES-59
PEELING DIRECTION AS SHOWN IN FOLLOWING FIGURE.

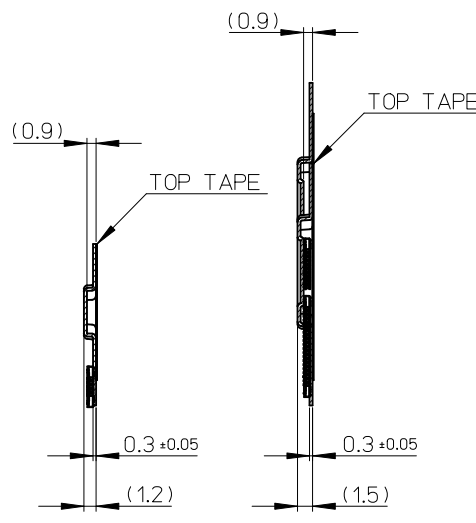


- 材料 MATERIAL
キャリアテープ (CARRIER TAPE)：ポリスチレン (POLYSTYRENE)
トップテープ (TOPTAPE)：PET, PE, PEF
リール (REEL)：ポリスチレン (PS) <リサイクル材を含む>
POLYSTYRENE (PS) <RECYCLE MATERIAL CONTAINED>

6.ELV AND RoHS COMPLIANT.

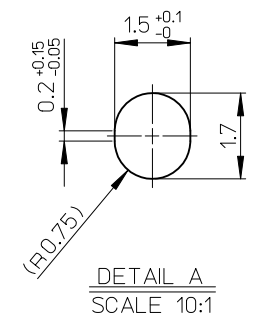
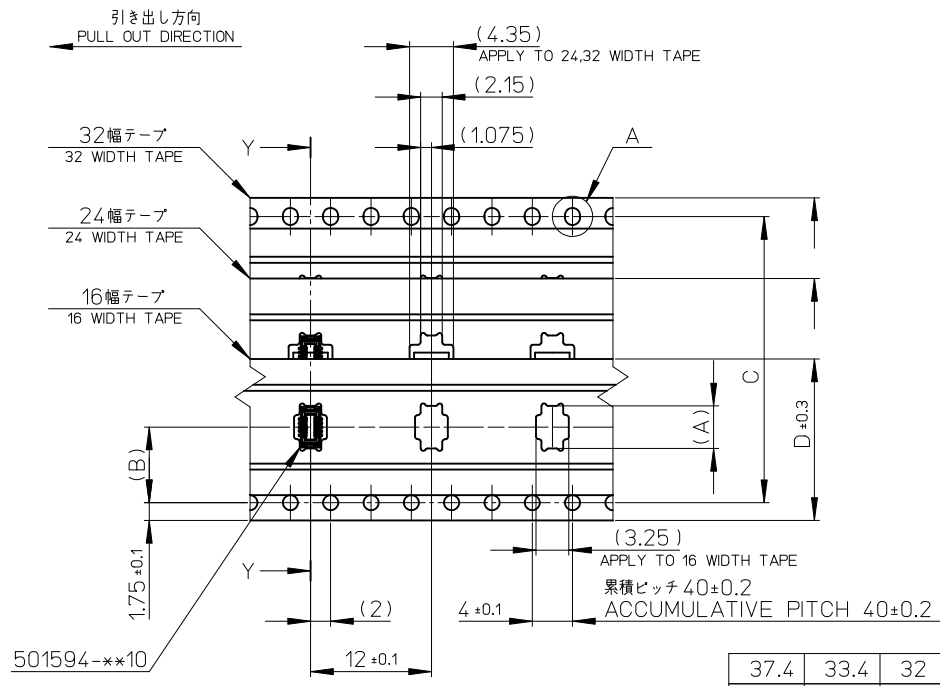
| | | | | | | | | | |
|--|--------------------|--|-------|---|--------------------|-----------------------------|--|---------------------|--|
| REVISED EC NO: J2012-0023 DRWNG: TOYODA 2011/07/05 CHKD: TASAKAWA 2011/07/06 APPR: MSASAO 2011/11/30 | DESCRIPTION REV | GENERAL TOLERANCES (UNLESS SPECIFIED) | | DIMENSION STYLE MM ONLY | | SCALE --- | 501594-**11 | MODEL NO. | |
| | | 10 UNDER | ±0.2 | DRAWN BY TASAKAWA | DATE 2006/07/10 | TITLE | 0.4MM PITCH B/B CONN. PLUG ASSY (HGT=0.9) EMBSTP PKG | | |
| | | 10 OVER 30 UNDER | ±0.25 | CHECKED BY MSASAO | DATE 2006/07/10 | MOLEX INCORPORATED | | | |
| | | 30 OVER | ±0.3 | APPROVED BY MSASAO | DATE 2006/07/10 | MATERIAL NO. SEE SHEET 1 | DOCUMENT NO. SD-501594-006 | SHEET NO. 1 OF 2 | |
| ANGULAR ±3 ° | | DRAFT WHERE APPLICABLE MUST REMAIN WITHIN DIMENSIONS | | THIS DRAWING CONTAINS INFORMATION THAT IS PROPRIETARY TO MOLEX INCORPORATED AND SHOULD NOT BE USED WITHOUT WRITTEN PERMISSION | | | | | |

10 9 8 7 6 5 4 3 2 1



SECT Y-Y
(FOR 16 WIDTH TAPE)

SECT Y-Y
(FOR 24 WIDTH TAPE
AND 32 WIDTH TAPE)



| | | | | | | | |
|------|------|----|------|------|-------|--------------|------------|
| 37.4 | 33.4 | 32 | 28.4 | 14.2 | 16.21 | 501594-7011 | 70 |
| | | | | | 13.01 | 501594-5411 | 54 |
| | | | | | 12.21 | 501594-5011 | 50 |
| | | | | | 11.01 | 501594-4411 | 44 |
| | | | | | 10.21 | 501594-4011 | 40 |
| 29.4 | 25.4 | 24 | — | 11.5 | 9.01 | 501594-3411 | 34 |
| | | | | | 8.21 | 501594-3011 | 30 |
| | | | | | 7.41 | 501594-2611 | 26 |
| | | | | | 7.01 | 501594-2411 | 24 |
| | | | | | 6.61 | 501594-2211 | 22 |
| 21.4 | 17.4 | 16 | — | 7.5 | 6.21 | 501594-2011 | 20 |
| | | | | | 4.61 | 501594-1211 | 12 |
| | | | | | 4.21 | 501594-1011 | 10 |
| F | E | D | C | (B) | (A) | MATERIAL NO. | 極数 CKT. |

| | | | | | | | | | | |
|---|---------------------------------------|--------|--|--|--------------------|--|---|--|-------------------------------------|--|
| REVISED EC NO: J2012-0023 DRW:KTOYODA 2011/07/06 CHK:D:TASAKAWA 2011/07/06 APPR:MSASAO 2011/11/30 | GENERAL TOLERANCES (UNLESS SPECIFIED) | | DIMENSION STYLE MM ONLY | | SCALE --- | | DESIGN UNITS METRIC | | 501594-***11 MODEL NO. | |
| | 10 UNDER | ± 0.2 | DRAWN BY TASAKAWA | | DATE 2006/07/10 | | TITLE 0.4MM PITCH B/B CONN. PLUG ASSY (HGT=0.9) EMBSTP PKG | | MOLEX INCORPORATED SD-501594-006 | |
| | 10 OVER 30 UNDER | ± 0.25 | CHECKED BY MSASAO | | DATE 2006/07/10 | | | | | |
| | 30 OVER | ± 0.3 | APPROVED BY MSASAO | | DATE 2006/07/10 | | DOCUMENT NO. | | SHEET NO. | |
| | ANGULAR ± 3 ° | | DRAFT WHERE APPLICABLE MUST REMAIN WITHIN DIMENSIONS | | SEE TABLE | | SD-501594-006 | | 2 OF 2 | |
| THIS DRAWING CONTAINS INFORMATION THAT IS PROPRIETARY TO MOLEX INCORPORATED AND SHOULD NOT BE USED WITHOUT WRITTEN PERMISSION | | | | | | | | | | |