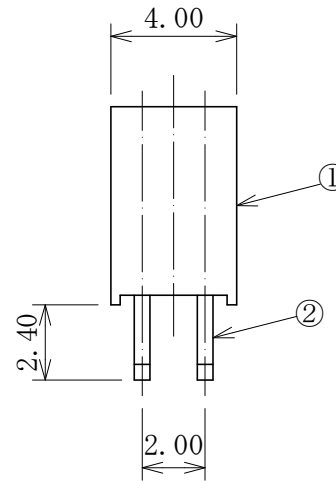
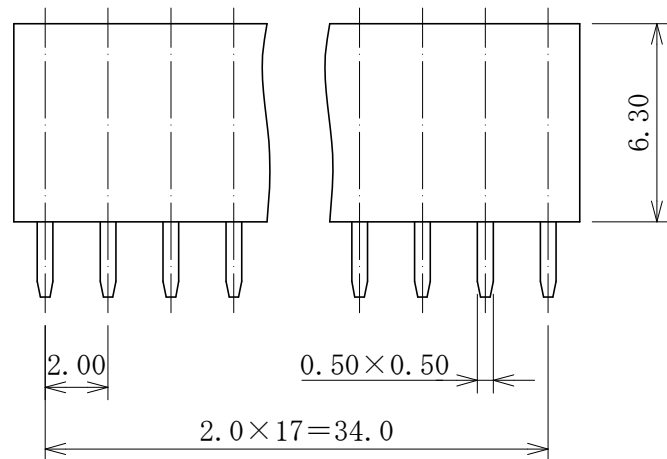


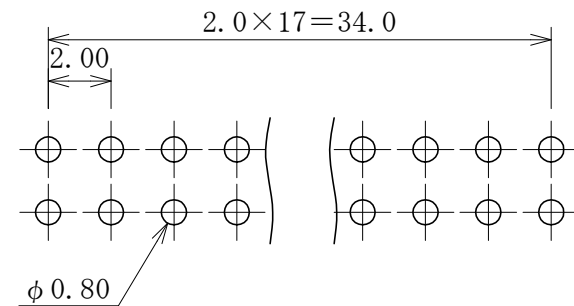
EMBEDDING HOLE	PART NUMBER
No. 1	HSC-200-D36P-1
No. 2	HSC-200-D36P-2
No. 3	HSC-200-D36P-3
No. 4	HSC-200-D36P-4

DETAIL A

③ (A place changes with part numbers)



Recommend P.C. Board Hole Layout



TOLERANCE	.0	.00	.000
	±0.3	±0.2	±0.1

3	HEADER PIN	1	BRASS Ni Plated
2	CONTACT	36	PHOSPHOR BRONZE Au-F
1	INSULATOR	1	Nylon-6T BLACK
NO.	PART NAME/PART NUMBER	Q' TY	MATERIAL AND FINISH

出図  
技術営業  
'15. 11. 25

RELATED DRAWING						日本コネクト工業株式会社 JC ELECTRONICS CORPORATION			THIRD ANGLE PROJECTION		
						MATERIAL		FINISH		DIMENSION	mm/
						FINISH				TOLERANCE	
						SCALE		4/1			
REV.	DATE	DE.	CH.	APP.	CIRCULATE	DE.	CH.	APP.	TITLE	HEADER SOCKET	
DATE	Oct. 08 , 2013					N. Sai	K. Tak	Y. Nod	REV.	HSC-200-D36P-X	
											0

